



MS SERIES MANUAL ON/OFF SWITCH (NON-REVERSING)



For "F", & "A series disposers only.

APPLICATION:

- Economical non-reversing On/Off switch for use when magnetic contactor and overload protection are not required.

DESIGN AND CONSTRUCTION:

- NEMA4, watertight, cast aluminum housing and cover. Cast aluminum lever actuator with provision for lockout.

WARRANTY:

- One full year from date of purchase by end user, covering defects in material or workmanship; parts and labor included.

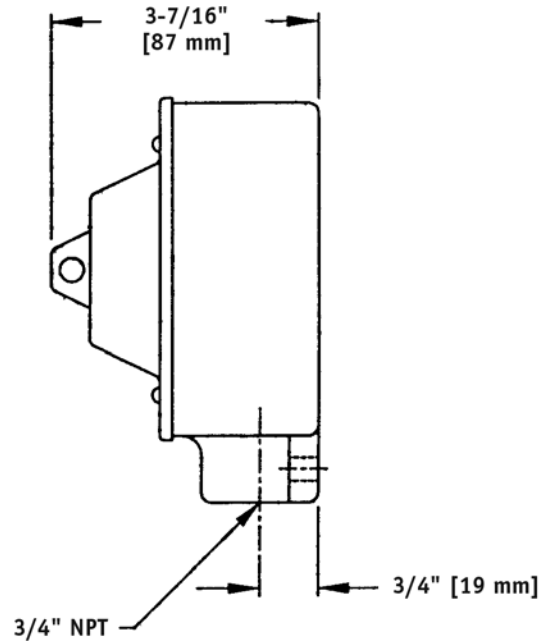
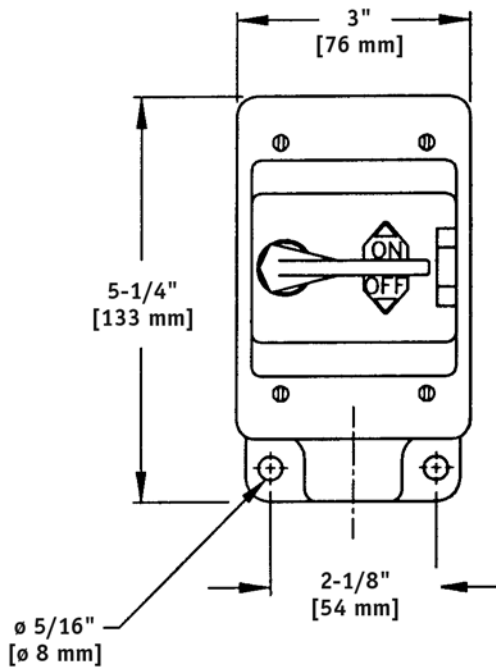


Underwriters Laboratories Inc. LISTED

MS SERIES MANUAL ON/OFF SWITCH (NON-REVERSING)			
Model No.	HP Range	Voltage	PH
MS-1	1/2 to 2	115 or 230	1
MS-2	1/2 to 5	208, 230 or 460	3

MS SERIES

MANUAL ON/OFF SWITCH (NON-REVERSING)



SHIPPING DIMENSIONS AND WEIGHTS:

Model No.	WIDTH		DEPTH		HEIGHT		WEIGHT		VOLUME	
	in.	mm.	in.	mm	in.	mm	lbs.	kg	cu. ft.	cu. m
MS-1	7	178	7	178	3	76	4	2	.09	.002
MS-2	7	178	7	178	3	76	4	2	.09	.002

Construction: Shall be NEMA4 watertight, cast aluminum enclosure with lever actuator and lock out provisions.

Approvals and Warranty: Shall be UL (Underwriters Laboratories, Inc.) listed. Warranty shall cover parts, labor and mileage on all components for one year.

**Specify HP, Voltage, and Phase when ordering.*

In line with its policy to continually improve its products, Red Goat reserves the right to change materials and specifications without notice.