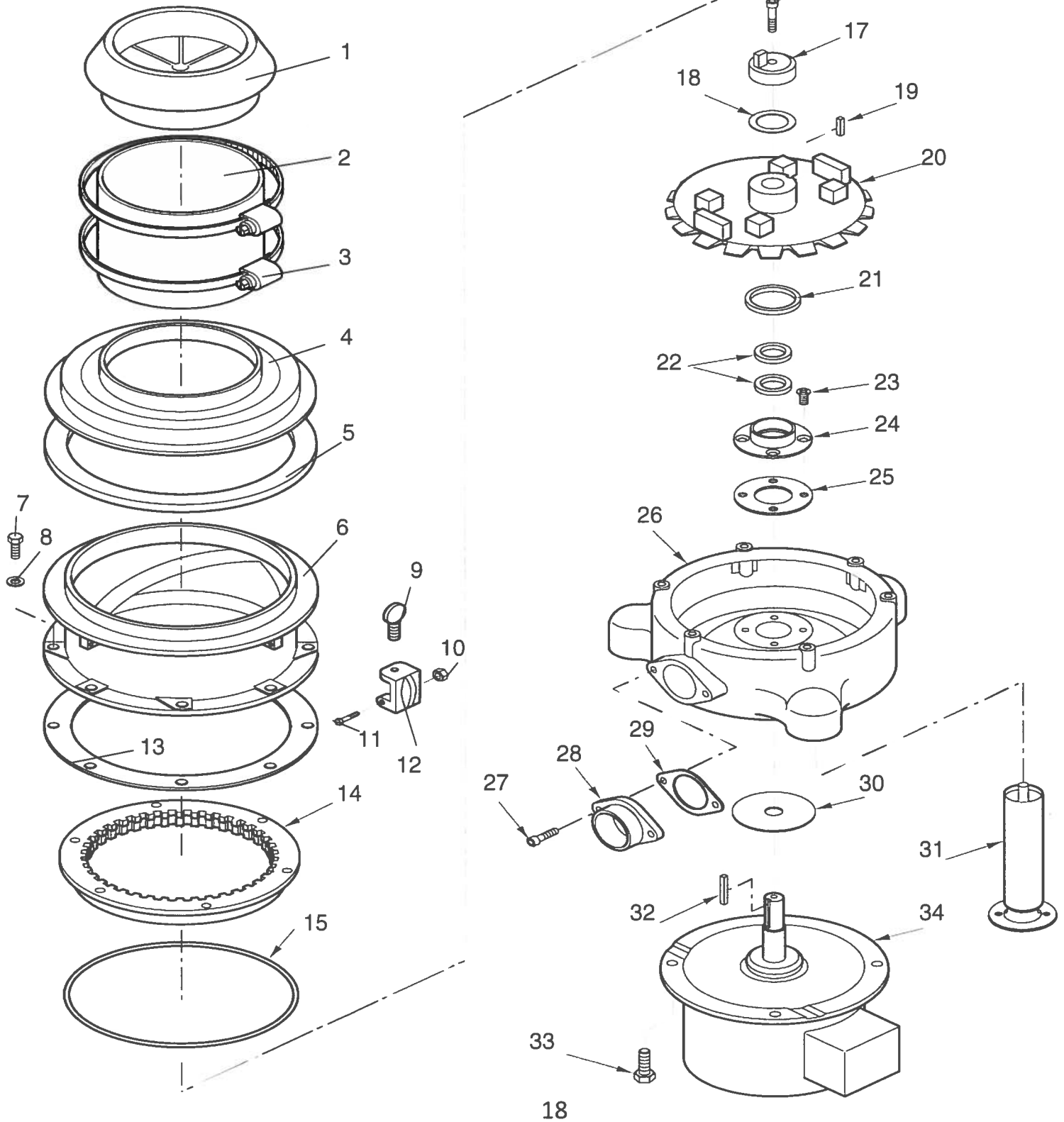
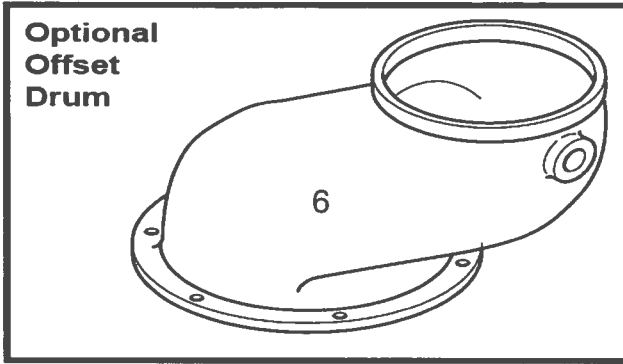


B SERIES REPLACEMENT PARTS DIAGRAM



B SERIES REPLACEMENT PARTS LIST

KEY NO. PART NO. NAME: DESCRIPTION/ QTY PER MACH.

1	06-ABC-ST7	Silver Saver Scrapping Ring 7"	1
2	06-ABC-834	Connector Sleeve: 7" Dia. X 8"	1
	06-ABC-434	Connector Sleeve: 7" Dia. X 4"	
3	08-ABC-33	Stainless Steel Clamps 7"	2
4	01-B-36L	Lid: 7" Aluminum	1
5	07-B-39	Gasket: Lid	1
6	51-B-36	Drum	1
	51-B-80	Offset Drum	
	30-B-36	Drum Assy (includes 6 & 9-12)	
7	A-4100	Screw: Hxhd 3/8-24X1-3/4	6
8	08-BC-312	Washer: Lock Split 5/16	6
9	08-BC-67	Thumb Screw: Lid Clamp	4
10	08-BC-286	Nut Nylon 1/4-20 18-8 SS	4
11	08-BC-285	Screw: Hxhd 3/8-15 x 1-1/2	4
12	51-BC-65	Lid Clamp	4
13	B-500	Gasket: Sizing Ring	1
14	D-1272	Sizing Ring	1
15	B-011	10.5" Buna Sizing Ring "O" Ring	1
16	A-4200	Screw: Center Breaker	1
17	A-1288	Center Breaker (includes item 19)	1
18	A-1022	Gasket: Center Breaker	1
19	A-4201	Roll Pin	1
20	D-1287N	Rotor	1
21	D-1009	Lip Seal "Rotor"	1
22	A-1011	Lip Seal "Motor Shaft"	2
23	A-4202	Screw: Seal Housing	4
24	D-1008	Seal Housing	1
25	A-019	Gasket: Seal Housing	1
26	G-247	Bowl	1
27	A-4120	Screw: 7/16-20x1 S.H.C.S.	2
28	A-159	Discharge Flange	1
29	A-161	Gasket: Discharge Flange	1
30	A-016	Slinger " Motor Shaft"	1
31	09-BC-927	Leg Assy w/Foot: 2" X 9-5/8", SS	3
32	A-1185	Key	1
33	A-2213	Screw: Motor Mounting	4

KEY PART NO. NAME: DESCRIPTION/ QTY PER MACH.

MOTOR OPTIONS

34	P-0335060	Motor: 3HP/3PH/50 & 60HZ	1
	P-0535060	Motor: 5HP/3PH/50 & 60HZ	1
	02-ABC-723	Motor: 7.5 HP/3PH/60HZ	1
	02-ABC-103	Motor: 10 HP/3PH/60HZ	1

NOT SHOWN

02-BC-402	Bearing: #207 UPPER	1
02-BC-401	Bearing: #206 LOWER	1
B-SGK-NS	Seal and Gasket Kit (Includes 13, 15, 18, 21, (2)22, 25, 29, Grease)	1
B-CRK-NS	Complete Renewal Kit (Includes 13, 14, 15, 16, 17, 18, 19, 20, 21, (2)22, 25, 29, 30, Grease)	1