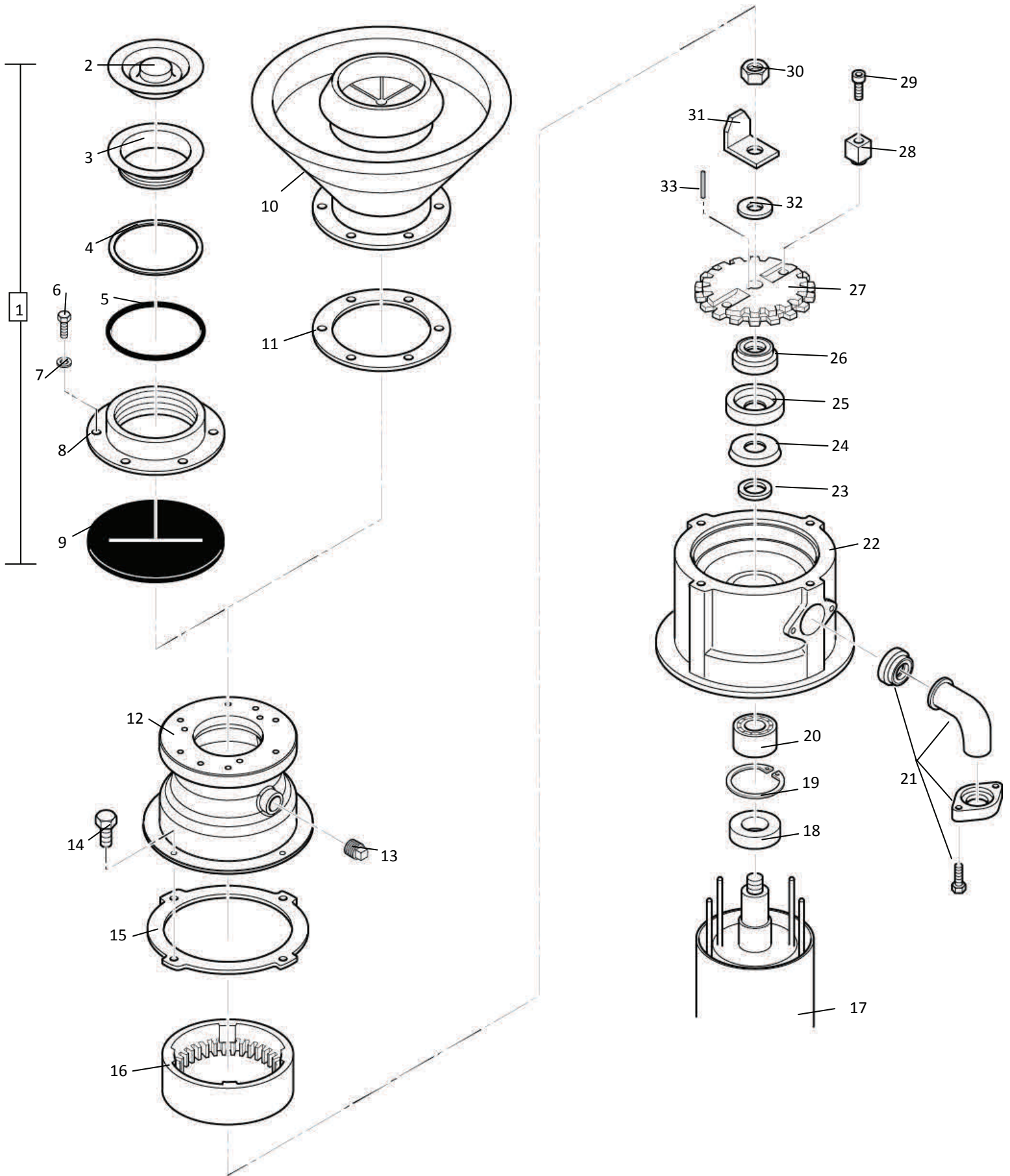


# H SERIES REPLACEMENT PARTS DIAGRAM



# H SERIES REPLACEMENT PARTS LIST

KEY NO.	PART NO.	NAME: DESCRIPTION/	QTY PER MACH.
1	30-H-RSA	RSA Head Assy (includes 2-9)	1
2	06-H-8	Sink Stopper:	1
3	27-H-15	Sink Mount: Threaded	1
4	07-H-19	Gasket: RSA Rubber	1
5	07-H-20	Gasket: RSA Fiber	1
6	08-H-21	Screw, Hxhd 5/16-18 x 3/4	6
7	08-HA-311	Washer: Lock Split 5/16	6
8	51-H-17	RSA Head	1
9	07-H-18	Gasket: Splash Guard	1
10	06-HA-ST4	Silver Saver: 4 1/2"	1
11	07-H-34	Gasket: Cone	1
12	00-289006	Housing: Upper Short	1
13	FP-066-02	Pipe Plug: 1/2"	1
14	SC-036-13	Screw: 5/16-18 x 7/8 H.H.C.S.	4
15	00-289001	Gasket: Waste	1
16	00-201227	Ring: Shredder	1

## MOTOR OPTIONS

17	00-473202-00003	Motor: 1/2HP/3PH/50 & 60HZ	1
	00-473202-00001	Motor: 3/4HP/3PH/50 & 60HZ	1
	00-473202-00002	Motor: 1-1/4HP/3PH/50 & 60HZ	1
	00-473203-00003	Motor: 1/2HP/1PH/50 & 60HZ	1
	00-473203-00001	Motor: 3/4HP/1PH/50 & 60HZ	1
	00-473203-00002	Motor: 1-1/4HP/1PH/50 & 60HZ	1
18	00-201448	Oil Seal	1
19	RR-008-15	Retaining Ring	1
20	BB-021-08	Ball Bearing: Hoover #6303	1
21	HD-SFK	Kit: Spout & Flange Short Housing	1
22	00-289008	Housing: Lower	1
23	00-202717	Spacer: Shaft	1
24	00-202725	Slinger: Water	1
25	00-203194	Support: Seal	1
26	00-117071	Water Seal Assembly	1
27	00-201250-00001	Flywheel	1
28	00-201223-00003	Cutter: Flywheel	2
	00-201223-00001	Cutter: Flywheel	2
	00-201223-00004	Cutter: Flywheel	2
29	00-202556-00001	Screw	2
30	NS-031-39	Stop Nut: 1/2-20 "Elastic"	1
31	00-201235	Cutter: Hi-Bulk	1
32	00-272003	Seal: Shaft	1
33	00-203619-00001	Key: Shaft	1

KEY NO. PART NO. NAME: DESCRIPTION

## NOT SHOWN

00-289004-00001	Upper Housing & Shredder Ring Assy. (Incl. 6,7,12,13,16)
00-289036	Seal & Bearing Kit (Incl. 18,19,20,23,24,25,26,30,32)