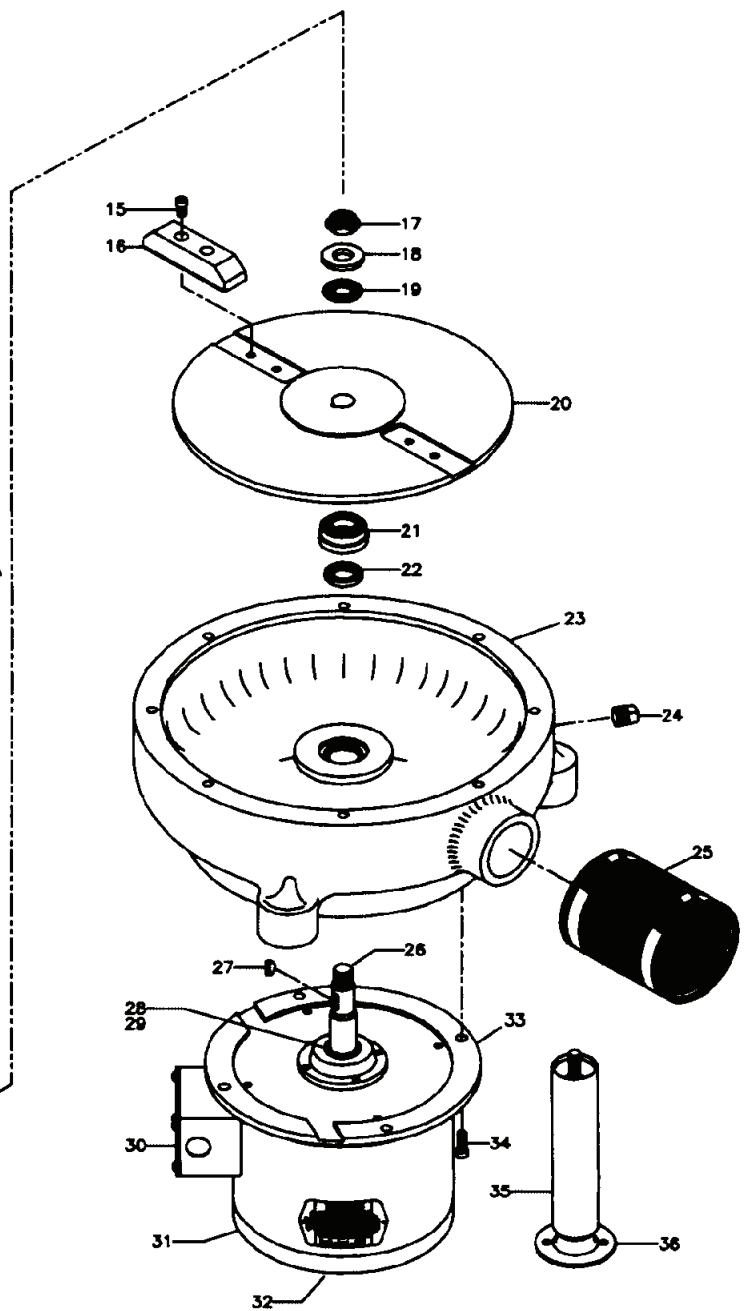
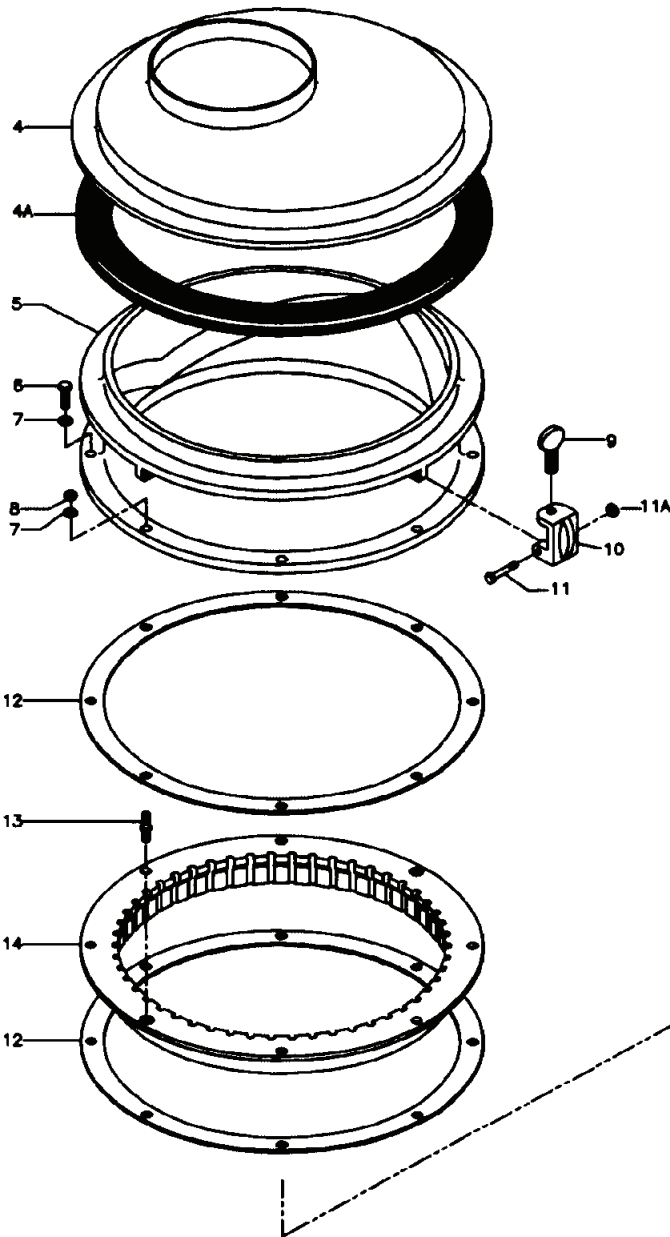
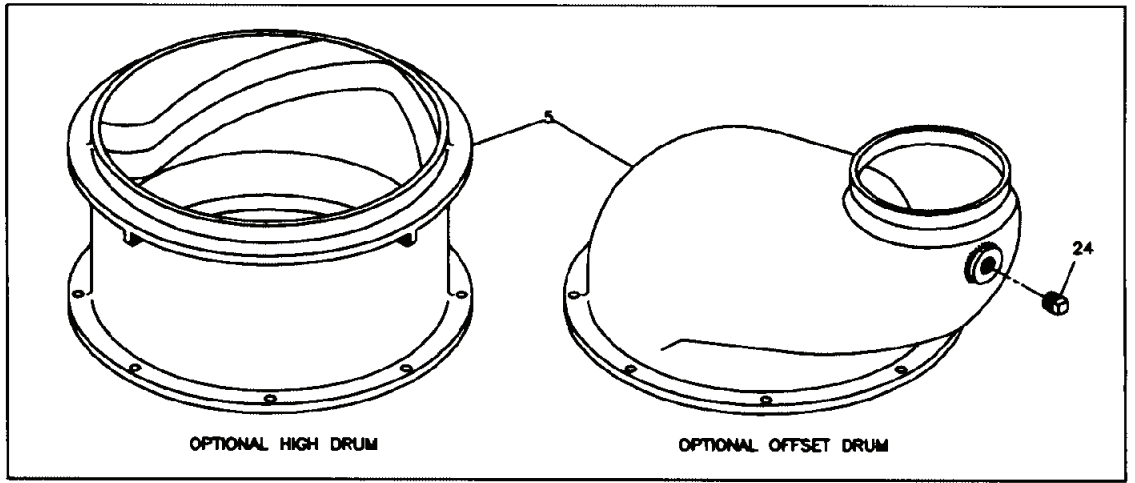
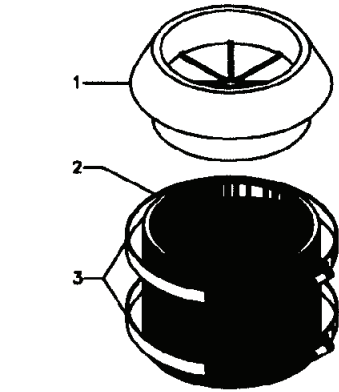


C SERIES REPLACEMENT PARTS DIAGRAM



C SERIES REPLACEMENT PARTS LIST

KEY NO.	PART NO.	NAME: DESCRIPTION/	QTY PER MACH.
1	06-ABC-ST7	Silver Saver: 7"	1
2	06-ABC-834	Connector Sleeve: 7" dia. x 8"	1
	06-ABC-434	Connector Sleeve: 7" dia. x 4"	1
3	08-ABC-33	Clamp: Connector Sleeve 7"	2
4	01-C-1136	Lid: 7" Offset Opening	1
4A	07-C-1039	Gasket: Lid	1
5	51-C-1036	Drum	1
	51-C-1080	High Drum	1
	51-C-80	Offset Drum	1
	30-C-1036	Drum Assy (Includes 9-11)	1
6	08-BC-71	Screw: Hxhd 3/8-16 x 1-1/2	6
7	08-BC-312	Washer: Lock Split 3/8"	8
8	08-BC-1029	Nut: Hex 3/8-16	2
9	08-BC-67	Thumb Screw: Lid Clamp	4
10	51-BC-65	Lid Clamp	4
11	08-BC-285	Screw: Hxhd 1/4-20 x 1-3/4, SS	4
11A	08-BC-286	Nut: Hex Nyloc, 1/4-20, SS	4
12	07-C-1032	Gasket: Sizing Ring	2
13	08-BC-1028	Centering Stud	2
14	30-C-1031	Sizing Ring Assy	1
15	08-5-24.	Screw: Skhd 3/8-16 X 3/4, Nyloc SS	4
16	30-C-1006	Impact Bar	2
17	08-6-280	Nut: Hex Jam Nyloc, 7/8-14, SS	1
18	08-6-281	Washer: Flat, HD, 7/8 x .134 thick	1
19	07-BC-99	Gasket: Turntable Mounting	1
20	51-C-1001	Rotor	1
	30-C-1001	Rotor Assy: w/Impact Bars (includes 15, 16 & 20)	1
21	07-BC-84	Cartridge Seal	1
	04-BC-264	Install. Tool: BC Cartridge Seal	1
22	07-B-14	Lip Seal S/N 010191/ RG-1000 forw:	1
23	30-C-1143	Base Assy: Includes Seals Installed	1
24	10-5-27.	Pipe Plug: 1/2"	1
25	06-5-851	Drain Coupling: "C" Series	1
26	30-BC-151	Motor: 5 HP, 3PH (Includes 17-19 & 33)	1

KEY NO.	PART NO.	NAME: DESCRIPTION/	QTY PER MACH.
26	30-BC-161	Motor: 7.5 HP, 3PH (Includes 17-19 & 33)	1
26	30-BC-171	Motor: 10 HP, 3PH (Includes 17-19 & 33)	1
27	08-BC-283	Key, Woodruff: #808	1
28	07-BC-903	Lip Seal: 1 7/8" OD Baldor 3-10 HP	1
29	02-BC-403	Bearing: #306	1
32	02-BC-401	Bearing: #206	1
34	08-5-24.	Screw: Skhd 3/8-16 X 3/4, Nyloc SS	4
35	09-BC-927	Leg Assy w/Foot: 2" x 9.6, SS	3
	40-C-505	C-Complete Renewal Kit (S/N 060185C01/ RG-1000 forward)	1
	40-C-500	C-Complete Renewal Kit (Thru S/N 053185C17)	1
	40-C-1001A	C-Rotor Kit (includes 15-20)	1
	40-C-1031A	C-Sizing Ring Kit (Includes 7-8 & 12-14)	1
	40-C-1012A	C-Motor Seal Kit	1
	40-B-502	B-Motor Seal Kit (S/N 010191/ RG-1000 forward)	1

(NON-STOCK ITEMS)

30, 31, 33, & 36 PLEASE CONTACT OUR FACTORY