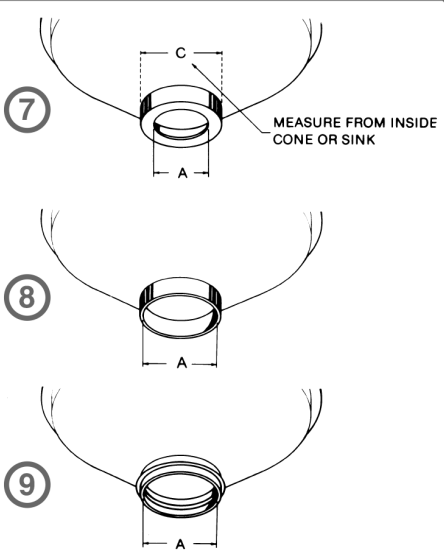
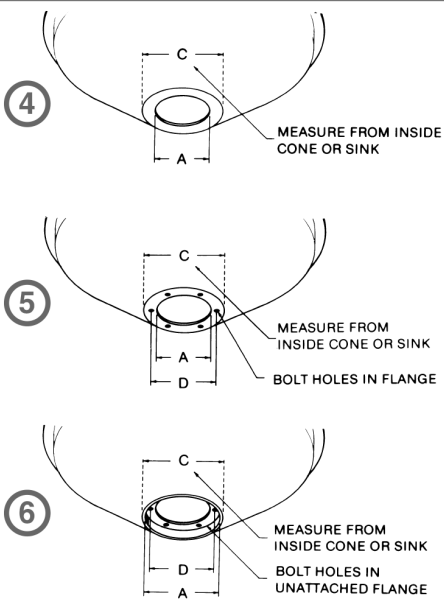
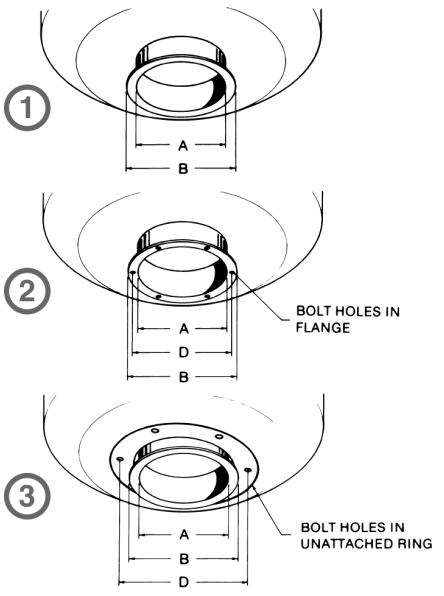




www.redgoat.com

ADAPTOR KIT SELECTION PROCEDURE:

1. Disconnect existing disposer from cone or sink; this will aid in obtaining precise measurements.
2. Selecting from the illustrations at left, choose the style that most closely resembles your present cone or sink (either 1, 2, 3, 4, 5, 6, 7, 8 or 9).
3. Carefully take the measurements, as shown in the illustration, for the style selected.



PRESET CONE OR SINK STYLE	COMMONLY USED BY	A - DIA. SINK OR CONE OPENING	
Common Sink	Many	3 1/2" - 4"	
1	In-Sink-Erator, National, Toledo, Waste King	4 1/2"	
3	Waste King	4 1/2"	
2	Big Genie, Insinger, In-Sink-Erator, National, Waste King	4 1/2"	
1	Avant, FMC	4 5/8"	
2	FMC	5"	
1	Avant, FMC	5 1/4"	
3	Avant, FMC	5 1/4"	
3	Waste King	6"	
1	Waste King	6"	
1	Bus Boy	6"	
3	Bus Boy	6"	
1	In-Sink-Erator, Toledo	6"	
2	American Delphi, Atomic	6"	
3	In-Sink-Erator, Toastmaster	6 5/8"	
1	Big Genie, Hobart, National, Toledo	7"	
3	Big Genie, Hobart, National, Toledo	7"	
1	Salvajor	7"	
2	Hobart, National	7"	
3	Waste King	8"	
1	In-Sink-Erator, Toledo	8"	
2	Hobart	9"	
6	Bus Boy, Hobart, Kitchen Pig, Salvajor	4 1/2"	
6	Waste King	4 1/2"	
5	Waste King	4 1/2"	
4	Hobart	5"	
8	Insinger	4 1/2"	
9	Salvajor	4 7/16"	
7	Hobart	5"	
7	Bus Boy, Waste King	5 7/8"	
7	Bus Boy, Waste King	5 7/8"	
7	General Electric	6"	
8	Waste King	6"	
9	Blakeslee, Salvajor	6 7/8" - 7"	
9	Insinger	6 1/2" - 6 5/8"	
8	Master	7 7/8" - 8 1/2"	



www.redgoat.com

(selection procedure continued)

4. Find the line containing these measurements in the chart below.
5. Select the appropriate Adaptor Kit number, being sure it corresponds to the Red Goat Replacement Disposer Series chosen.

NOTE: For Adaptor Kits to fit sizes or styles of cones not shown on this chart, please contact our factory. (Allow an extra two weeks delivery time for special Adaptor Kits.)

	B - DIA. OUTSIDE FLANGE	C - DIA. INSIDE BEND	D - DIA. BOLT HOLE CIRCLE	NUMBER OF BOLTS	ADAPTOR KIT NO.			SPECIAL INSTRUCTIONS
					"F" SERIES	"A" SERIES 4½" Throat Size	"A", "B", "C" SERIES 7" Throat Size	
	—	—	—	—	30-H-RSA	40-UV-45A	★★40-UV-7ABC	
	5½"	—	—	—	40-N-40H	40-N-45A	★★40-N-7ABC	
	5" - 5½"	—	★5½"	6	—	40-W4-45A	★★40-W4-7ABC	Reuse ring for "A", "B" and "C" Series. No Adaptor needed for "F" Series.
	6½"	—	5½"	6	—	40-W4-45A	★★40-W4-7ABC	No Adaptor needed for "F" Series.
	5½"	—	—	—	40-N-40H	40-N-45A	★★40-N-7ABC	
	6½"	—	6"	6	40-FM-40H	40-FM-45A	★★40-FM-7ABC	
	5½"	—	—	—	40-FM-40H	40-FM-45A	★★40-FM-7ABC	
	5½"	—	★6"	6	40-FM-40H	40-FM-45A	★★40-FM-7ABC	Reuse existing ring.
	6½"	—	★7"	6	40-WK-40H	40-WK-45A	06-5-846	Discard existing ring. Band Adaptor ¼" thick.
	6½"	—	—	—	40-BB-40H	40-BB-45A	06-5-847	Band Adaptor ½" thick.
	6¾"	—	—	—	40-BB-40H	40-BB-45A	06-5-847	Band Adaptor ½" thick.
	7"	—	★7½"	6	40-BB-40H	40-BB-45A	06-5-847	Discard existing ring. Band Adaptor ½" thick.
	7¾"	—	—	—	40-BB-40H	40-BB-45A	40-IS-7ABC	
	7½"	—	6¾"	6	40-HO-40H	40-HO-45A	40-HO-7ABC	
	7½"	—	★8½"	6	40-IS-40H	40-IS-45A	06-5-846	Discard existing ring.
	7¾"	—	—	—	40-HO-40H	40-HO-45A	40-HO-7ABC	
	7¾"	—	★8½"	10	40-HO-40H	40-HO-45A	40-HO-7ABC	Reuse existing ring.
	7¾"	—	—	—	40-HO-40H	40-HO-45A	40-HO-7ABC	
	8½"	—	8½"	10	40-HO-40H	40-HO-45A	40-HO-7ABC	
	8¾"	—	—	—	40-W8-40H	40-W8-45A	40-W8-7ABC	Discard existing ring.
	9¼"	—	—	—	40-I8-40H	40-I8-45A	40-I8-7ABC	
	12½"	—	11½"	8	40-H9-40H	40-H9-45A	40-H9-7ABC	
	—	6⅞"	★5½"	6	—	40-W4-45A	★★40-W4-7ABC	Reuse existing ring. No Adaptor needed for "F" Series.
	—	6" - 6½"	★5½"	6	—	40-W4-45A	★★40-W4-7ABC	
	—	6" - 6½"	5½"	6	—	40-W4-45A	★★40-W4-7ABC	No Adaptor needed for "F" Series.
	—	5⅞"	—	—	40 H5-40H	40-H5-45A	★★40-H5-7ABC	Requires drilling mounting holes (template inc.).
	—	—	—	—	No! Available	—	★★	No Adaptor needed for "A" Series with 4½" throat size.
	—	—	—	—	Not Available	—	★★	
	—	5⅞"	—	—	40-H5-40H	40-H5-45A	06-5-847	
	—	6½"	—	—	40-GE-40H	40-GE-45A	40-B5-7ABC	
	—	6⅞"	—	—	40-GE-40H	40-GE-45A	—	No Adaptor needed for "A", "B" or "C" Series with 7" throat size.
	—	6¾"	—	—	40-GE-40H	40-GE-45A	40-GE-7ABC	
	—	—	—	—	Not Available	Not Available	06-5-847	
	—	—	—	—	40-SA-40H	40-SA-45A	—	No Adaptor needed for "A", "B" or "C" Series with 7" throat size.
	—	—	—	—	40-SA-40H	40-SA-45A	—	
	—	—	—	—	Not Available	Not Available	40-M-7A	No Adaptor needed for "B" or "C" Series ordered with 8" lid opening.

*Bolt circle in unattached mounting ring.

**Not recommended due to large difference in diameter of disposer throat and sink or cone.