



# MODEL F DISPOSER



"F" Series Basic Disposer

### APPLICATION:

Small restaurant kitchen or salad prep areas in large kitchen. Snack bars, schools and churches where food waste is light and volume is not great.

### DESIGN AND CONSTRUCTION:

- **Motor:** Reversing, heavy duty, T.E.F.C., 1725 RPM (1425 RPM, 50 Hz), full rated horsepower, double sealed, permanently lubricated ball bearings.
- **Housings:** Heavy aluminum grind and discharge housings. Four bolts fasten the motor unit to the grind chamber, permit easy removal.
- **Mounting:** Disposer suspends from Cone or Sink Assembly.
- **Stationary Shredder Ring:** 1 3/4" high, 4 machine ground primary action breaker bars, 42 secondary action grinding teeth.
- **Flywheel:** Breaker blade, mounted at center, speeds grinding, prevents objects from "riding" at center. Two hardened stainless steel cutter blocks (fastened to flywheel with nylock screws) are replaceable, can be indexed for new cutting edges. Ni-Resist flywheel is 6 3/8" diameter, slots undercut the shredder ring to assure that particles are cut to proper size before passing to the drain line. Tight tolerance in the cutting mechanism allows for approximately 1/8" or 3.175 mm or less of waste to pass through to sanitary.
- **Motor Shaft Seal:** Proprietary mechanical seal designed for quality, long life, and reliability.
- **Drain Connector:** A chrome plated brass tail-piece is provided for connection to a 1 1/2" standard drain trap.

### CONTROLS:

**NOTE:** Electrical switches or control centers not included, must be selected as required.

### PLUMBING:

- 3 GPM @ 20 PSIG, 1/2" NPT
- 1 1/2" drain line with trap
- Not grease trap compliant

### ELECTRICAL:

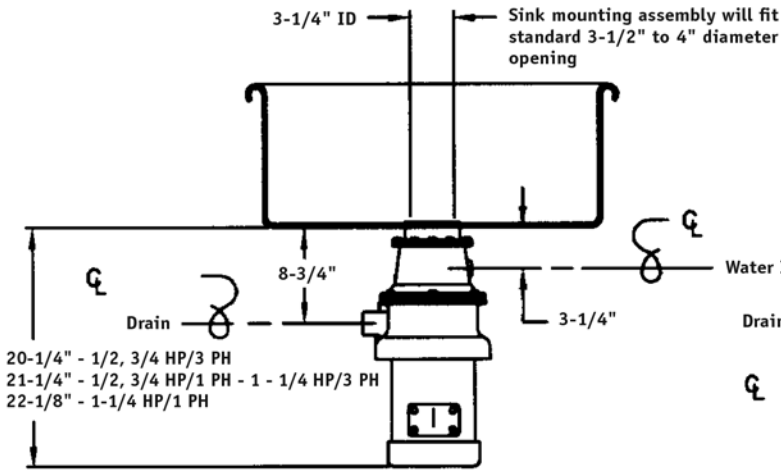
- Please refer to electrical requirements on the last page.

### OPTIONAL FEATURES:

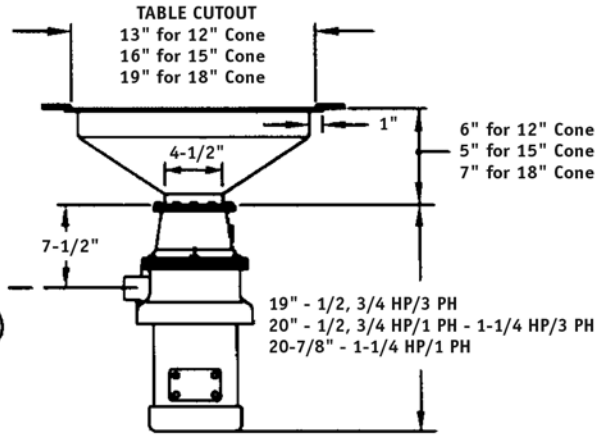
- **Adaptor Kits:** Adaptor kits are available to allow installation of Red Goat Disposers to virtually any sink or cone size or configuration. Refer to "Adaptor Kit Selection Guide" for specific kit model numbers.

"F" SERIES - BASIC DISPOSER				
Type	Model No.	HP	PH	Throat Size
REGULAR	F12S-R	1/2	1	4 1/4"
	F12P-R	1/2	3	4 1/4"
	F34S-R	3/4	1	4 1/4"
	F34P-R	3/4	3	4 1/4"
	F114S-R	1 1/4	1	4 1/4"
	F114P-R	1 1/4	3	4 1/4"

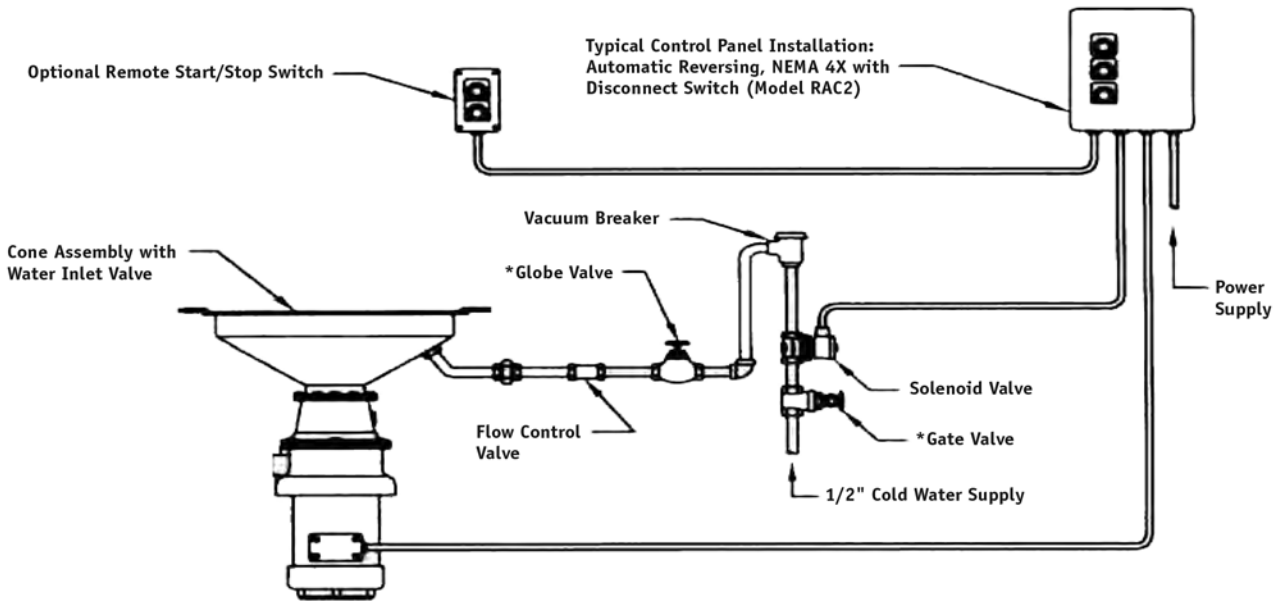
# MODEL F DISPOSER



DISPOSER SHOWN WITH SINK MOUNTING ASSEMBLY



DISPOSER SHOWN WITH CONE MOUNTING ASSEMBLY



\*These items are not supplied by Red Goat Disposers.

HP	THREE PHASE		THREE PHASE		SINGLE PHASE		SINGLE PHASE	
	Volts/60 Hz	Amps	Volts/50 Hz	Amps	Volts/60 Hz	Amps	Volts/50 Hz	Amps
1/2	208	2.5	208	2.6	115	4.6	110	6.8
	230	2.4			230	2.3	220	3.4
	460	1.2	415	1.3				
3/4	208	2.6	208	2.6	115	6.3	110	8.2
	230	2.4			230	3.15	220	4.1
	460	1.2	415	1.3				
1 1/4	208	3.7	208	4	115	11.1	110	12.8
	230	3.6			230	5.05	220	6.4
	460	1.8	415	2				

In line with its policy to continually improve its products, Red Goat reserves the right to change materials and specifications without notice.