



# H.E. TABLE

## HOSTILE ENVIRONMENT TABLE

**The Proven Performer in the most Hostile & Corrosive Environment**



Shown with optional full enclosure stainless panels

**APPLICATION:**

- Prewired and preplumbed disposer in portable stainless steel table to perform in Hostile and Corrosive Environments, using readily available seawater.

**FEATURES:**

- Operates on seawater to conserve valuable fresh water supply.
- Automatic reversing for even wear and longer life of turntable and sizing ring.
- Control panel with sealed printed circuit board.
- NEMA 4X solenoid valve provides automatic water control.
- Includes clean-out cycle for easy completion of disposer cycle.
- Will handle 750-1000 lbs. of waste per hour...including bones.
- Exclusive 1/10 year warranty - 10 years on housing, 1 year on other components.
- Full enclosure, stainless steel panels (standard).

**DESIGN AND CONSTRUCTION:**

- Extra long wearing turntable impact bars and sizing ring. Heat treated ductile iron and nickel plated.
- Pallet type base for portable and easy fork lift transport.
- Conveniently located, easy drain connection with hose clamps.
- Recessed control panel, lighted buttons and disconnect switch housed in NEMA 4X enclosure.

**MOTOR:**

- Totally enclosed and fan cooled motor, heavy corrosion resistant epoxy painted, sealed bearings, 1.15 service factor.
- Thermal overload reset located on motor.
- Available in 2, 3 and 5 horsepower, three phase.
- Explosion-proof motors available.

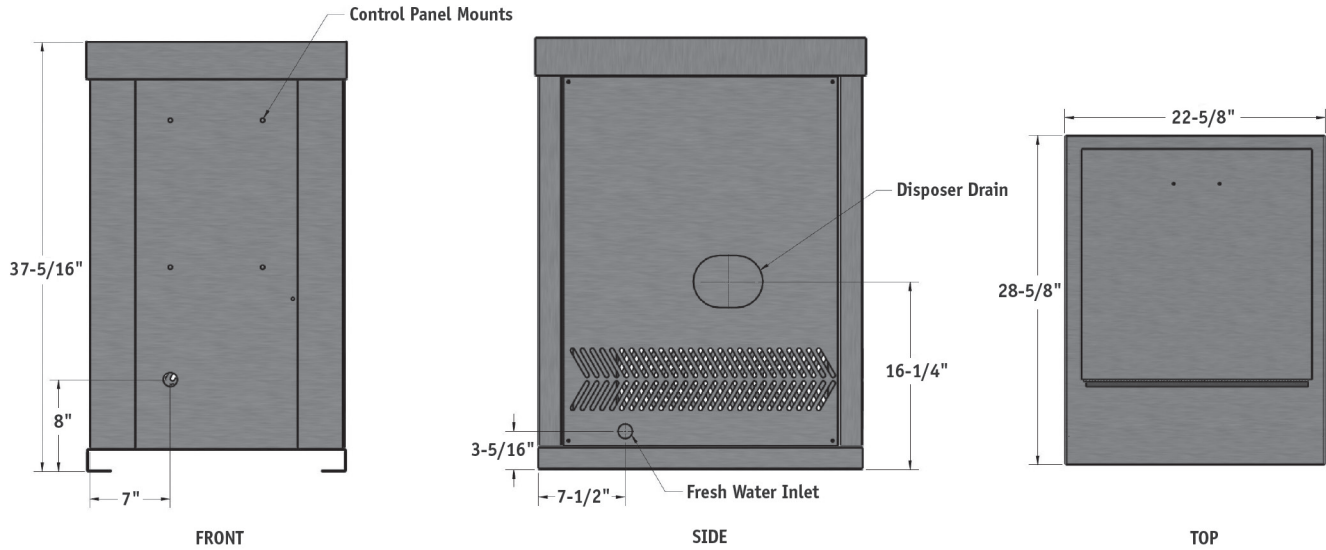
HOSTILE ENVIRONMENT TABLE				
Model No.	HP	Voltage	PH	Throat Size
A2P-THEL	2	208-230	3	7"
A2P-THEH	2	460	3	7"
A3P-THEL	3	208-230	3	7"
A3P-THEH	3	460	3	7"
A5P-THEL	5	208-230	3	7"
A5P-THEH	5	460	3	7"

# H.E. TABLE

## HOSTILE ENVIRONMENT TABLE



### EQUIPMENT DIMENSIONS:



### HOSTILE ENVIRONMENT TABLE SPECIFICATIONS:

<b>Processing Method</b>	Food Waste Disposer
<b>Design Type</b>	Stand Alone, Portable Design
<b>Input Capacity (lbs.)</b>	750 - 1,000 lbs./hr.
<b>Dimension (W x D x H in.)</b>	$22\frac{5}{8}$ x $28\frac{5}{8}$ x $37\frac{5}{16}$
<b>Weight</b>	2 HP 355 lbs., 3 HP 385 lbs., 5 HP 400 lbs.
<b>Material</b>	Stainless Steel (type 316L)
<b>Safety Feature</b>	Manual Overload Reset on Motor, Disconnect Handle Lockout on Control
<b>Automated Control</b>	Automatic Reversing Control Panel with Clean-Out Cycle
<b>Installation</b>	3 Phase Power, 2" Drain Line, $\frac{1}{2}$ " NPT Water Connection

### ELECTRICAL DATA:

HP	Volts	Amps
2	208	6.5
	230	6.2
	460	3.1
3	208	9
	230	8.6
	460	4.3
5	208	14.8
	230	14
	460	7

*In line with its policy to continually improve its products, Red Goat reserves the right to change materials and specifications without notice.*